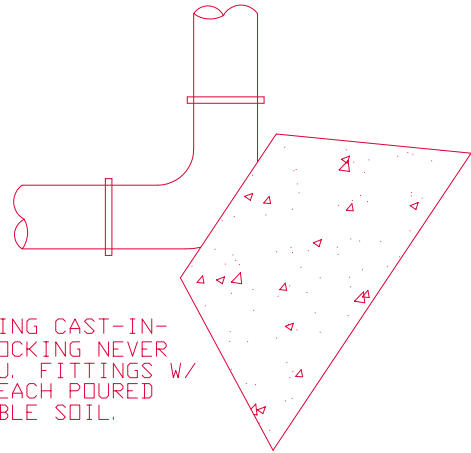
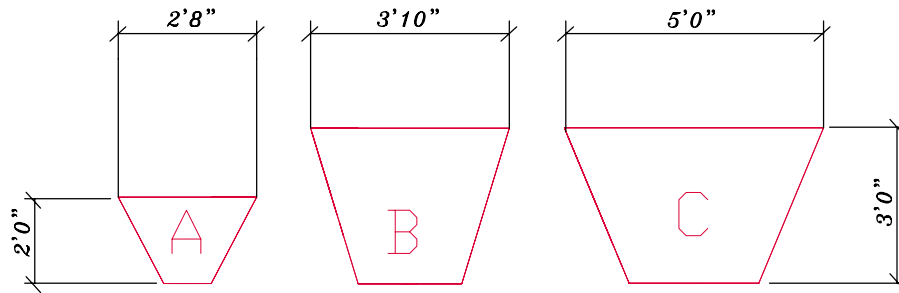


TYPICAL USES

PIPE SIZES	6"	8"	12"	16"
90 BEND	A	B	B	C
45 BEND	A	A	A	B
22.5 BEND	A	A	A	A
END	A	A	A	B
TEE	A	A	A	B



NOTE:
 WHEN USING CAST-IN-
 PLACE BLOCKING NEVER
 COVER M. J. FITTINGS W/
 CEMENT. EACH POURED
 TO SUITABLE SOIL.



*THRUST
 BLOCK
 SPECIFICATIONS*

N. T. S.

A=SMALL PRECAST (.22 YDS.) HT. = 24"
 B=LARGE PRECAST (.97 YDS.) HT. = 36"
 C=CAST-IN-PLACE (1.74 YDS.) HT. = 50"

DESIGN NOTES:

1. ALL CONCRETE HAS A MINIMUM COMPRESSIVE STRENGTH OF 4,000 PSI AT 28 DAYS
2. REINFORCED WITH 6" x 6" 10/10 W. W. M.
3. PROVIDED WITH 1 EACH PENCIL ROD LIFTING LOOP

