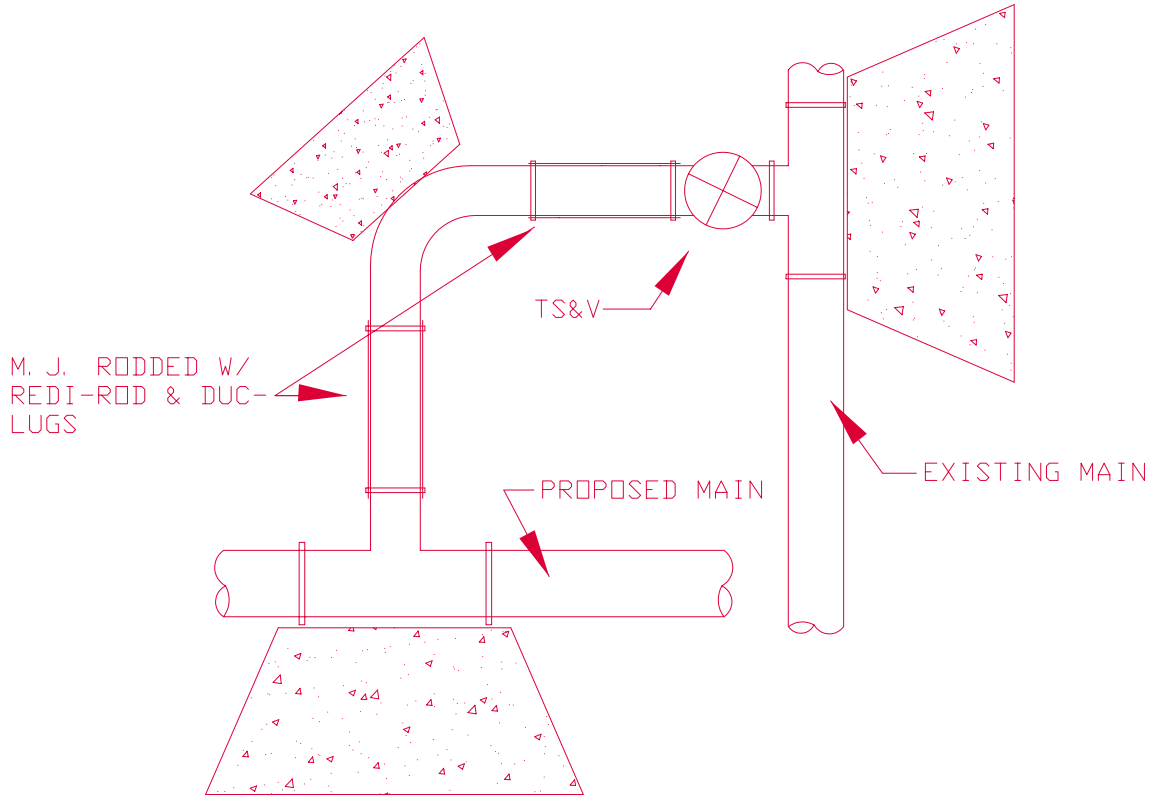


NOTE: REDI ROD REQUIREMENTS  
<12" = 2- 3/4"  
>12" = 3- 3/4"  
OR PER SWD DESIGN

TYPICAL THRUST BLOCK



*TYPICAL TIE-IN*

N. T. S.

OLD MAIN TO NEW MAIN  
WHEN SERVICE INTER-  
RUPTION NOT DESIRED

